

# BLOOD GAS ANALYZER



## Features



Convenient

Whole Blood and  
Self-diagnosis Function



Fast

60s/Test



Portable

Small Size and Built-in Lithium Battery



Automation  
Design

Automatic Inhalation, Calibration,  
Waste Collection



Maintenance Free

High Stability and Integrated Reagent Kit (Aspiration  
Needle, Electrode, Calibrator and Waste Bag)

# Blood Gas Analyzer

Category	Specification
Throughput	Results in 60 Seconds after Sample Aspiration
Sample Volume	150µL
Operation Environment	10°C~31°C
Power Supply	AC 100~240V, 50Hz/60Hz
Dimensions	260mm*270mm*410mm
Net Weight	9.5Kg Without Cartridge
Display	10.4-inch Color LCD Display, Resolution 1024*768
Battery	Lithium-ion Battery 14.8V/6500mAh
Input Device	Touch Screen and Barcode Scanner
Interface	4*USB 2.0 Host, 1*Ethernet Port
Fan	12V
Storage Capacity	100000+ Tests

# Cartridges

Measurement Parameters (10 items)			
Parameter	Unit	Reportable Range	Precision (CV)
pH	-	6.8-8.0	SD≤0.02
pO <sub>2</sub>	mmHg	20-600	CV≤7.5%
pCO <sub>2</sub>	mmHg	15-130	SD≤2.5mmHg
Na <sup>+</sup>	mmol/L	100-180	CV≤1.5%
K <sup>+</sup>	mmol/L	2.0-9.0	SD≤0.25mmol/L
Ca <sup>++</sup>	mmol/L	0.25-2.5	SD≤0.15mmol/L
Cl <sup>-</sup>	mmol/L	70-150	CV≤5%
Glu	mmol/L	1.1-27	CV≤5%
Lac	mmol/L	0.3-17	CV≤7.5%
Hematocrit	%PCV	20%-70%	CV≤3%

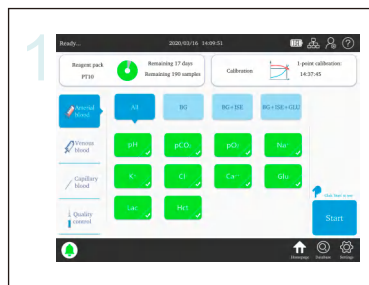
Calculation Parameters (23 items)

HCO<sub>3</sub><sup>-</sup>act, BE, AnGap, sO<sub>2</sub>(est), pO<sub>2</sub>(A-a), tHb(est) etc.

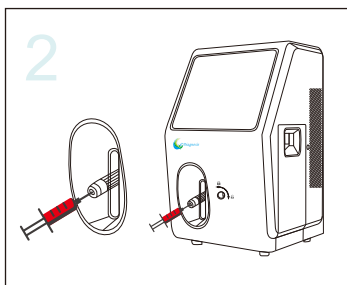
# Variety of Test Cartridges

	Model	Measurement Parameters
Cartridges	PT-3	pH, pCO <sub>2</sub> , pO <sub>2</sub>
	PT-8	pH, pCO <sub>2</sub> , pO <sub>2</sub> , Na <sup>+</sup> , K <sup>+</sup> , Ca <sup>++</sup> , Cl <sup>-</sup> , Hct
	PT-9	pH, pCO <sub>2</sub> , pO <sub>2</sub> , Na <sup>+</sup> , K <sup>+</sup> , Ca <sup>++</sup> , Cl <sup>-</sup> , Glu, Hct
	PT-10	pH, pCO <sub>2</sub> , pO <sub>2</sub> , Na <sup>+</sup> , K <sup>+</sup> , Ca <sup>++</sup> , Cl <sup>-</sup> , Glu, Lac, Hct
Storage Temperature	15°C~25°C	
Package	60 Tests/Kit, 120 Tests/Kit, 200 Tests/Kit	
Shelf Life	Validity 180 days	
Onboard Life	Validity 21 days	
Sample Type	Arterial Blood, Venous Blood, Capillary Blood, Quality Control	
Dimensions	194mm*92mm*207mm	
Weight	2kg	
Calibration	One Point Calibration, Two Point Calibration	
Components	Aspiration Needle, Electrode, Calibrator and Waste Bag	

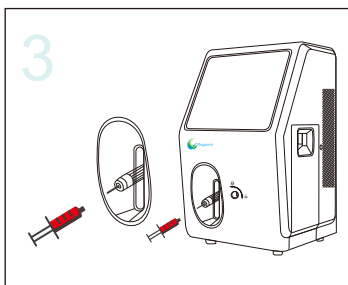
# Operation



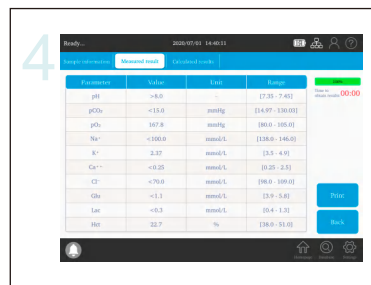
Click "Start" on Screen



Aspirate The Sample



Remove The Syringe



Result and Print

0086-27-65523649

Wuhan EasyDiagnosis Biomedicine Co., Ltd.

www.easydiagnosis.com.cn

sales@easydiagnosis.com.cn



Room 3 & 4, 2nd Floor, Bldg 25, Phase 3.1, Wuhan Optics Valley International Biopharmaceutical Enterprise Accelerator, No. 388, Gaoxin 2nd Road, East Lake Hi-Tech Development Zone, Wuhan, 430074, Hubei, P.R. China